

SKYFLOOR BL

TECHNICAL DATA

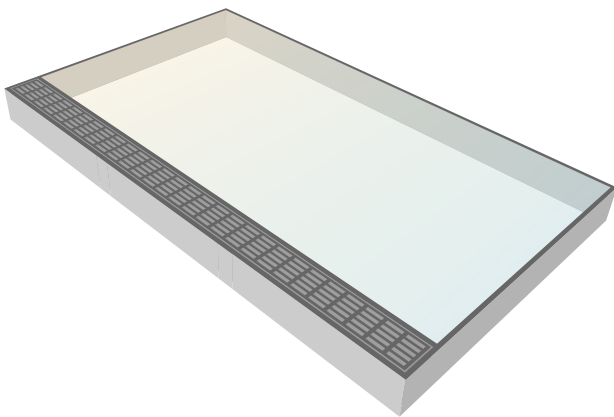
THE WALK-ON LIGHT WELL GLAZING

FORM

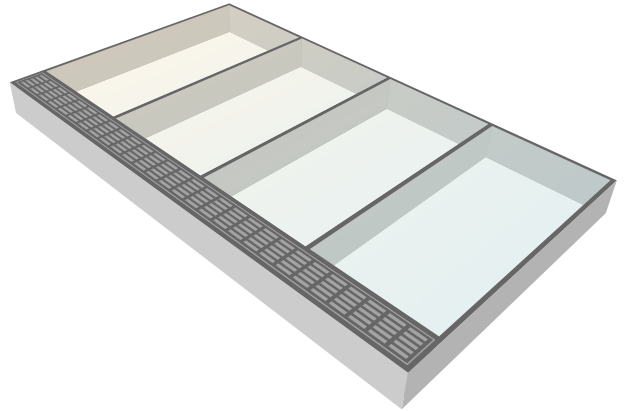
Choose the form of the walk-on light well glazing with integrated ventilation grid that best meets your needs. Meets the standards, made to measure.



THE RECTANGLE



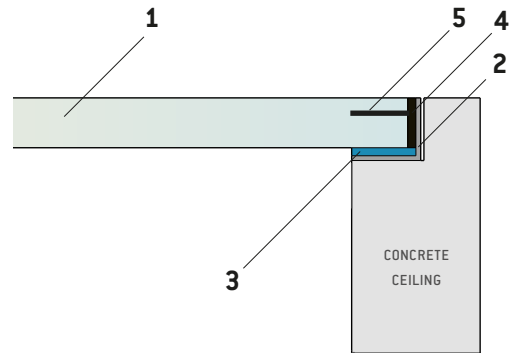
THE INDIVIDUAL



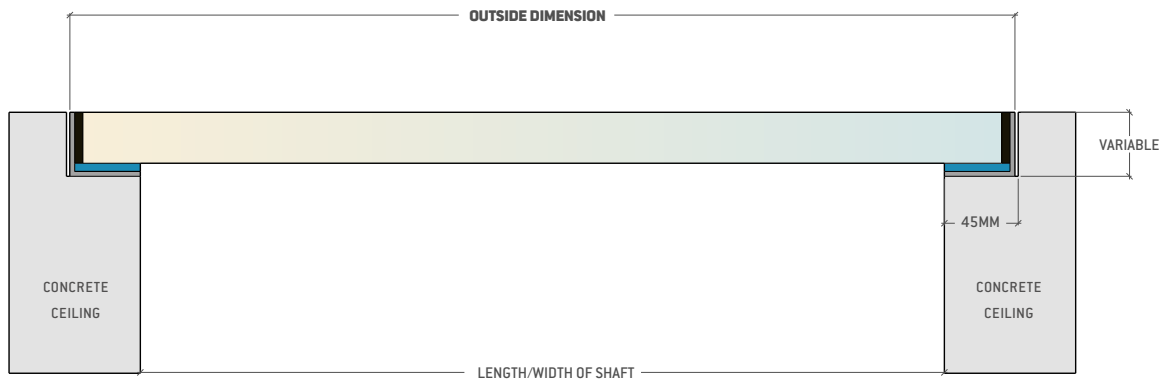
BUILDUP

- 1 static laminated safety glass *
- 2 stainless steel frame - brushed - with integrated ventilation grid
- 3 steel core for glass support
- 4 sealing joint
- 5 ceramic strips (optional)

*laminated safety glass glazed in factory-provided frame



DIMENSIONS



STANDARD RECTANGLE SIZES:



CUSTOM SIZES AT THE SAME PRICE AS THE STANDARD SIZE

- up to 100 x 60cm
- up to 120 x 80cm
- up to 140 x 100cm
- up to 200 x 80cm
- up to 200 x 100cm
- up to 200 x 140cm

CUSTOM SIZES AT THE SAME PRICE AS THE STANDARD SIZE.

CONNECTION

Our Skyfloor BL light well glazing is quick and easy to install by yourself or a specialist.

For outdoor installations we recommend 2% incline to ensure drainage of rain and condensate.

GLASS

	uninsulated	
	load-bearing	continually walkable
luminous transmission index t _L (in%)	85	83
carrying capacity (kN/m ²)	1,5	5

The Skyfloor BL provides a complete ready-to-install glass frame system comprising a vented frame with an integrated walk-on glazing.

STANDARD

Skyfloor BL meets standards for walk-on glazing in Germany, Austria and Switzerland.

